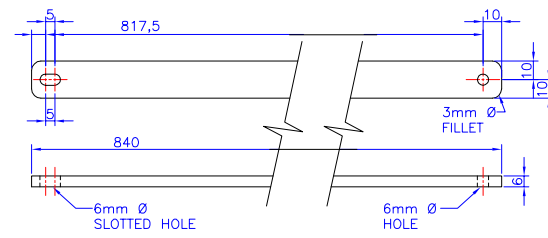
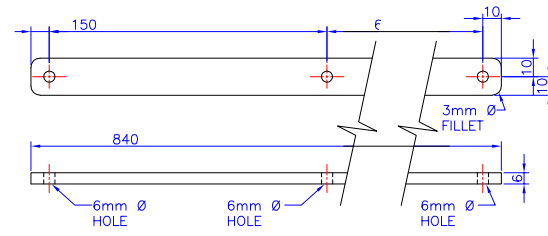


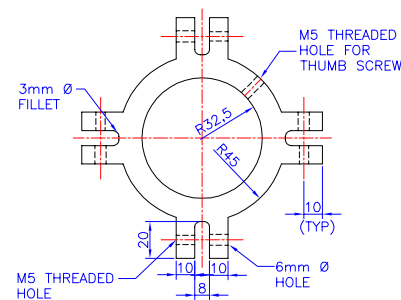
1 FOLDING BASE - 001
SCALE 1:5



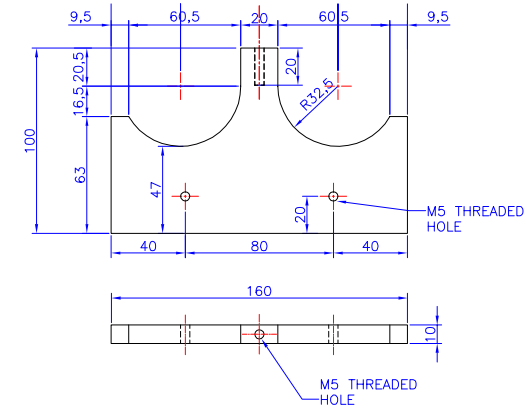
2 SUPPORT STRUT A - 002
SCALE 1:2



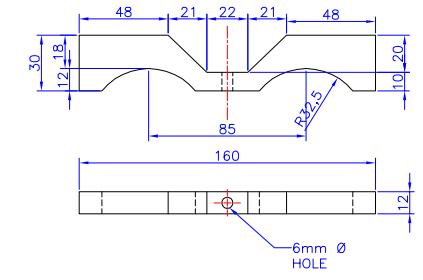
3 SUPPORT STRUT B - 003
SCALE 1:2



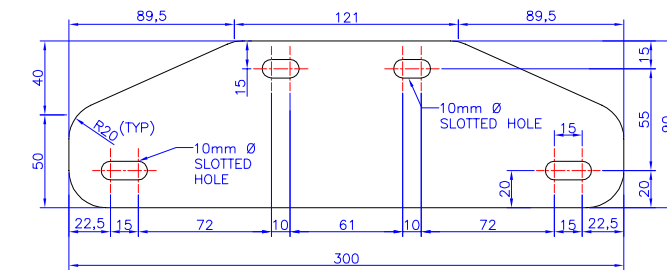
4 SUPPORT COLLAR - 004
SCALE 1:2



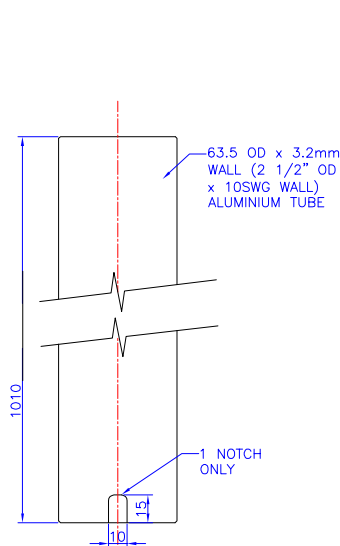
8 BRACKET - 008
SCALE 1:2



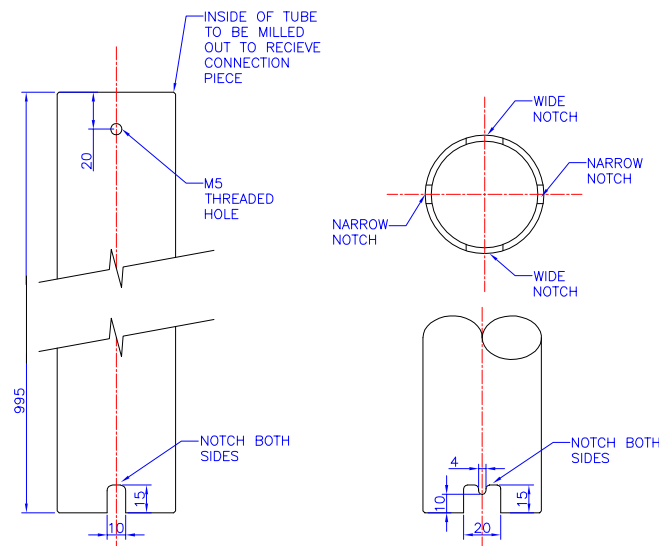
9 BRACKET CLAMP - 009
SCALE 1:2



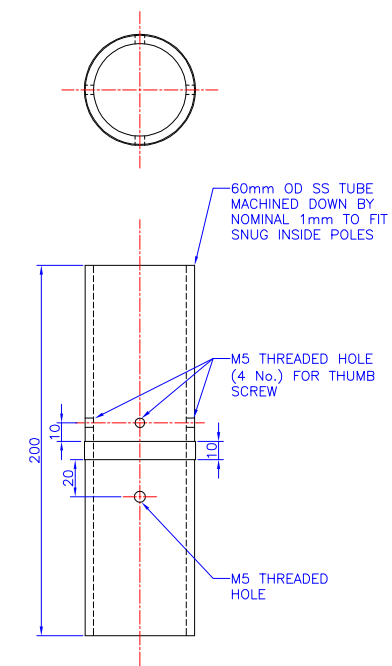
10 MOUNTING PLATE - 010
SCALE 1:2



6 POLE - UPPER SECTION - 006
SCALE 1:2



5 POLE - LOWER SECTION - 005
SCALE 1:2



7 POLE CONNECTION - 007
SCALE 1:2

NOTES

- DESIGN BASED ON ASBUILT OF EXISTING STAND IN IR1 INNOVATION CENTRE, WITH AMMENDMENTS
- ALL MATERIALS TO BE ALUMINIUM, UNO.
- PIPE JOINT AND POLE SECTIONS TO BE MACHINED TO ENSURE MOVEMENT OF UPPER SECTION IS ALLOWED.
- THREADED HOLES IN LOWER POLE AND CONNECTION PIECE ARE FORMED TOGETHER TO ENSURE ALIGNMENT.
- FABRICATOR TO DEBURR ALL SHARP EDGES ON ALL COMPONENTS.
- ENSURE SUPPORT COLLAR CAN MOVE FREELY ON POLE WHEN THUMB SCREW IS NOT TIGHTENED.
- ANY PROPOSED CHANGES IN DIMENSION, MATERIAL OR ASSEMBLY TO BE SUBMITTED TO CLIENT/DESIGNER FOR APPROVAL.
- REFER TO DRAWING NO A12-215 FOR ASSEMBLY

C	ISSUED FOR INFORMATION	FF	KD	COC	04DEC09
B	ISSUED FOR PRICING PURPOSES	FF	KD	COC	20OCT09
A	REVIEW	FF	-	-	15OCT09
REV. NO.	REVISION DESCRIPTION	DRAWN	CHECKED	APPROVED	DATE

<p>THIS DRAWING CONTAINS INFORMATION WHICH IS THE PROPERTY OF INTEL CORPORATION. THIS DRAWING IS RECEIVED IN CONFIDENCE AND ITS CONTENTS MAY NOT BE DISCLOSED WITHOUT THE PRIOR WRITTEN CONSENT OF INTEL CORPORATION.</p>		<p>PLANNING</p>	
<p>INTEL Ireland Ltd Collinstown Industrial Park Leixlip, Co. Kildare Ireland</p>		<p>IR1 INNOVATION CENTRE PHOTOVOLTAIC PANEL MOBILE STAND COMPONENT DRAWINGS</p>	
APPROVALS	DATE	REV. NO.	FILE NAME
DRAWN	FF	-	-
DESIGNED	FF	-	-
REVIEWED	COC	-	-
SAFETY	-	-	-
LAYOUT	-	-	-
ENGINEER	-	-	-
APPROVED INTEL	KH	-	-
EQI CODE	-	-	-
DRAWING NO.	A12-214	DRAWING NO.	REV. NO.
OLD DWG NO.	-	DRAWING SCALE	AS SHOWN
PLOT SCALE	1	SHEET	OF